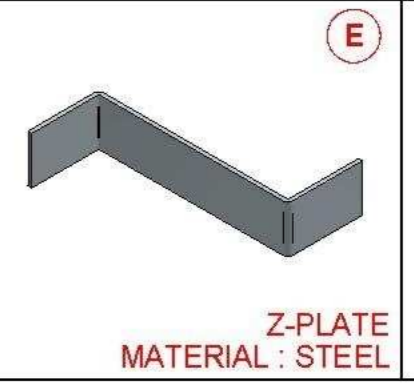
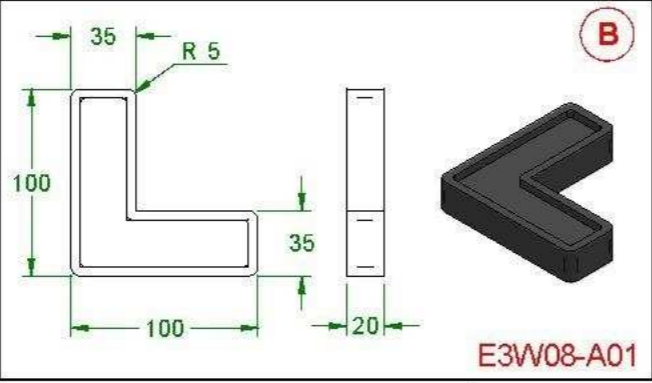
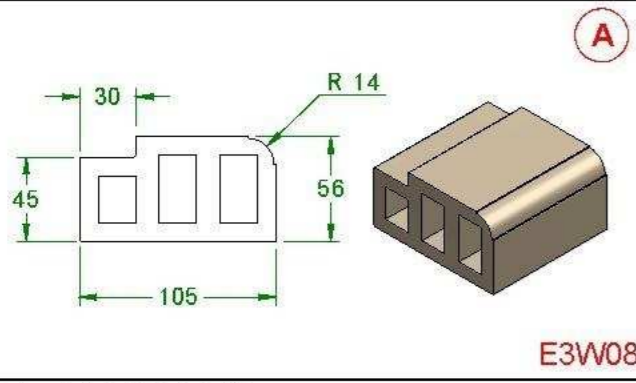
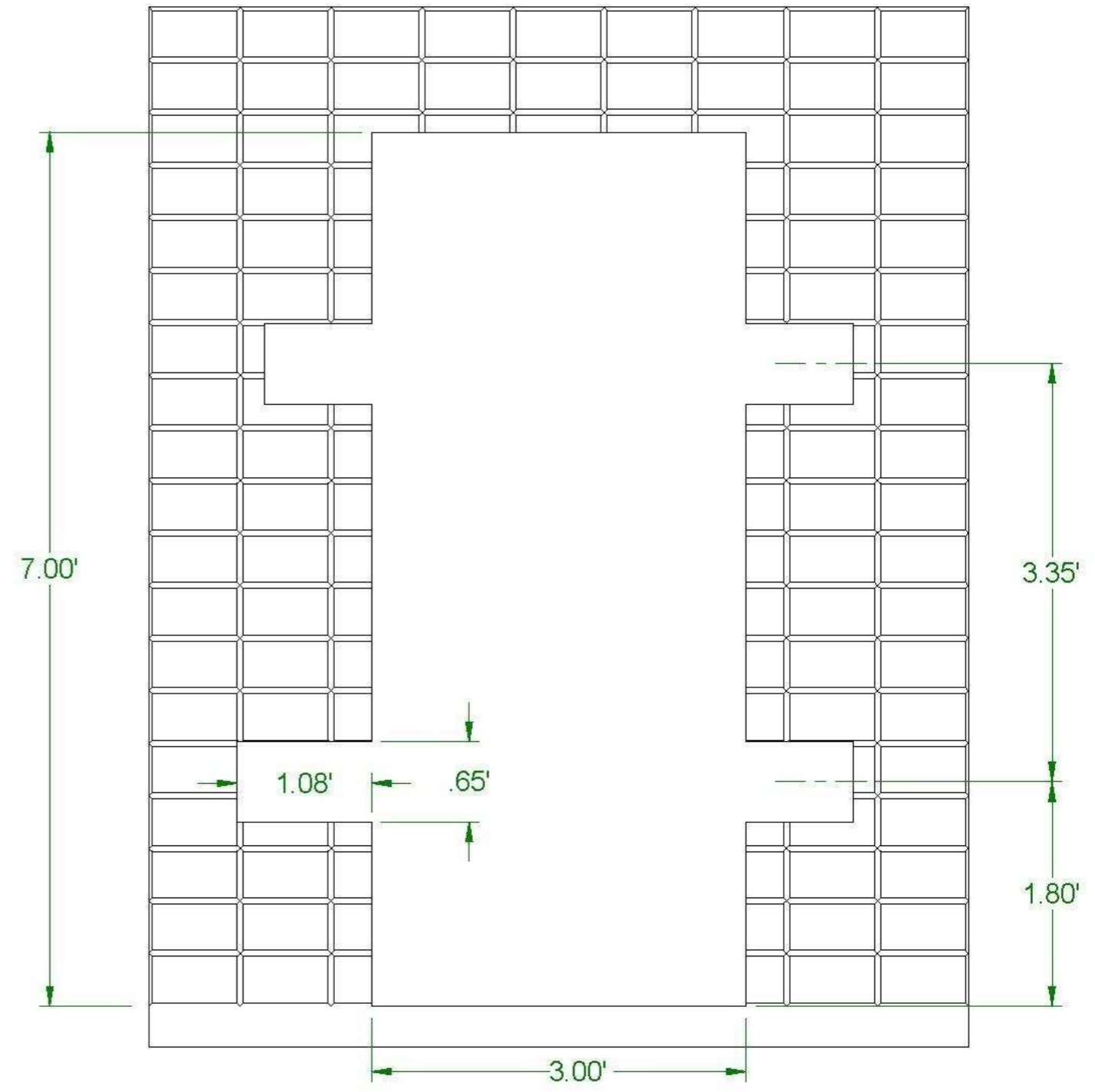
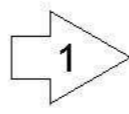
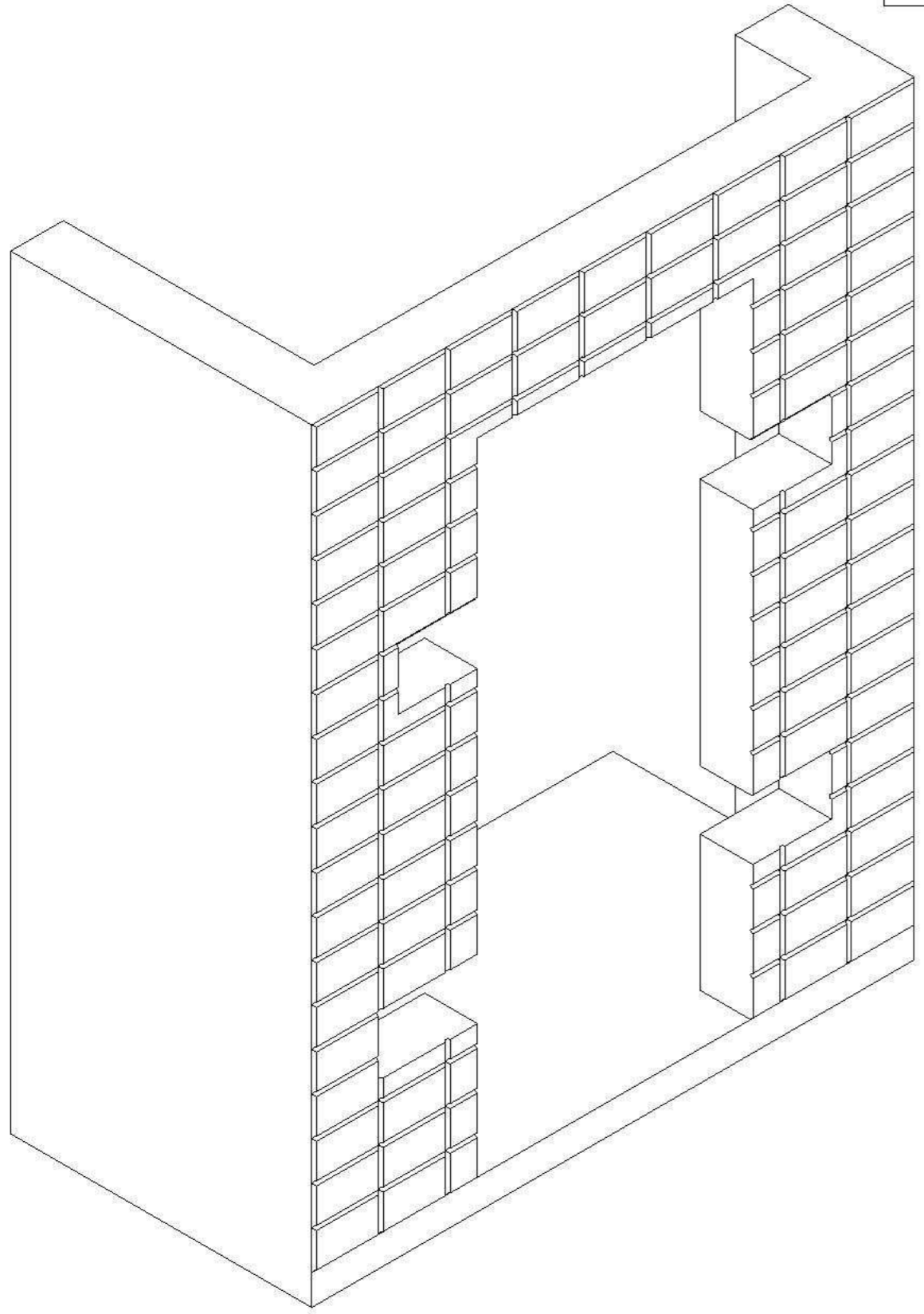


PARTLIST



ROOF ELEVATION

CONCRETE WALL PREPARATION

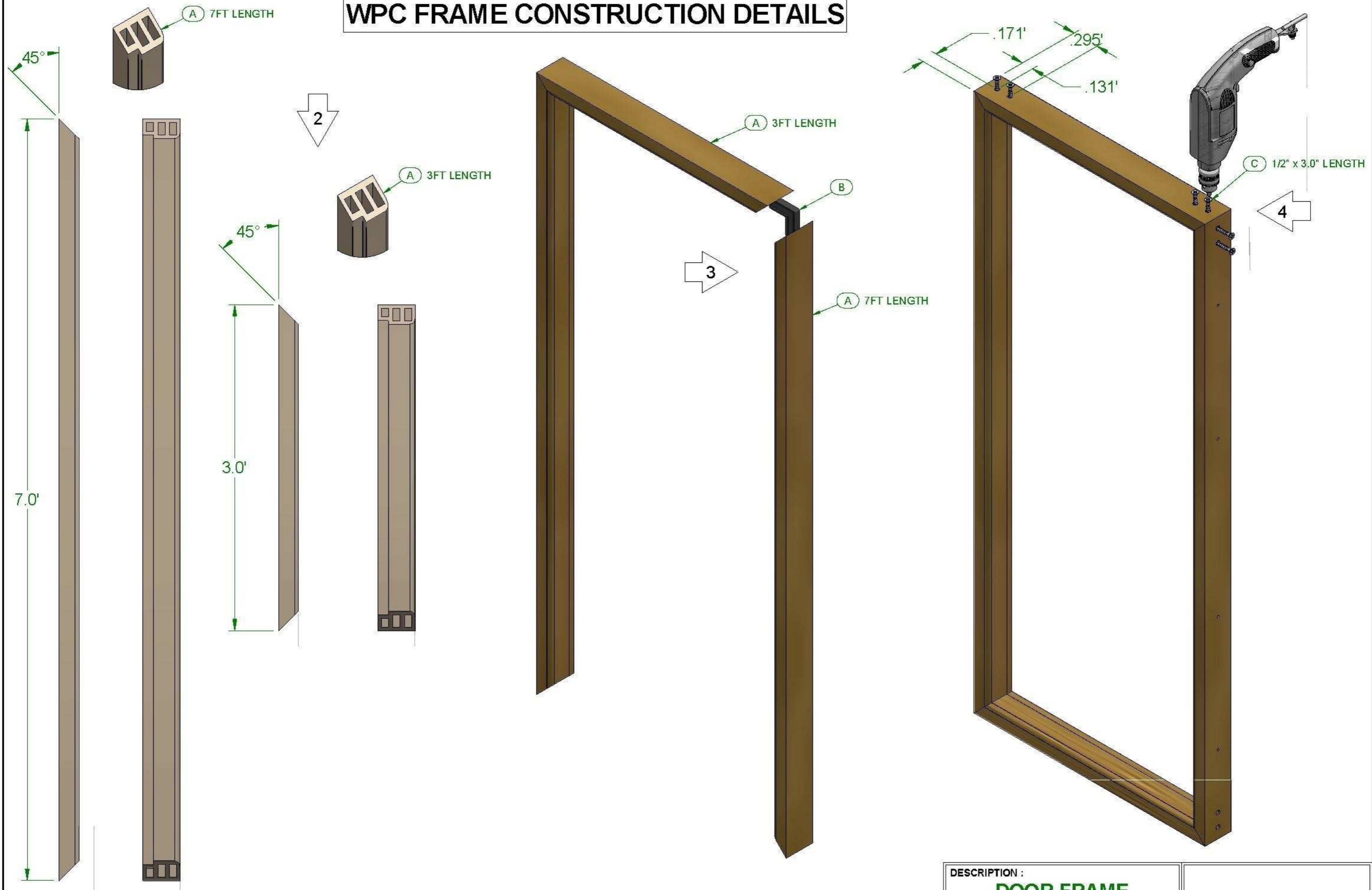


SHEET-1 OF 3

DESCRIPTION :
DOOR FRAME
DESIGN CODE :
7' x 3' - SIZE

BAERWOOD

WPC FRAME CONSTRUCTION DETAILS

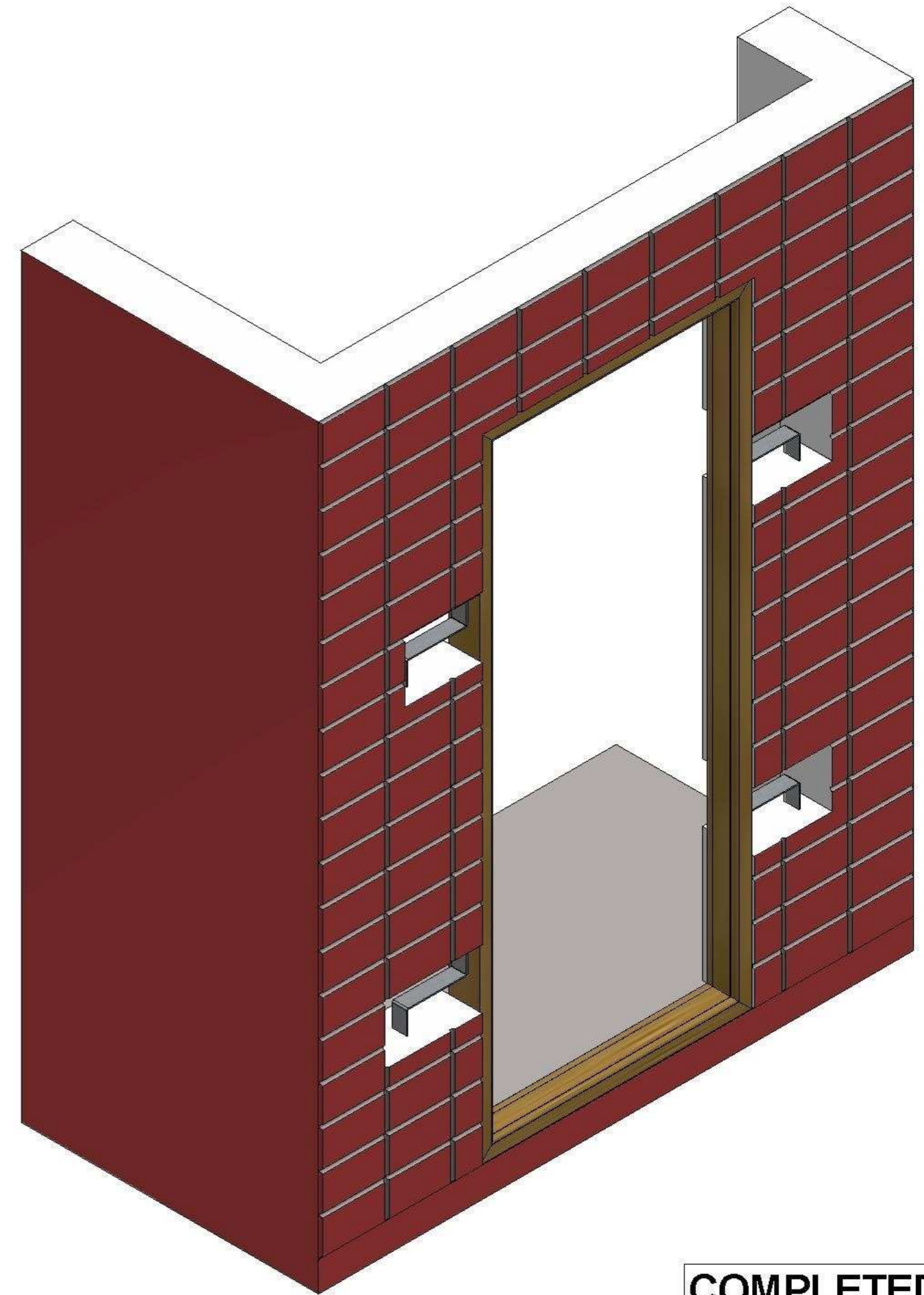
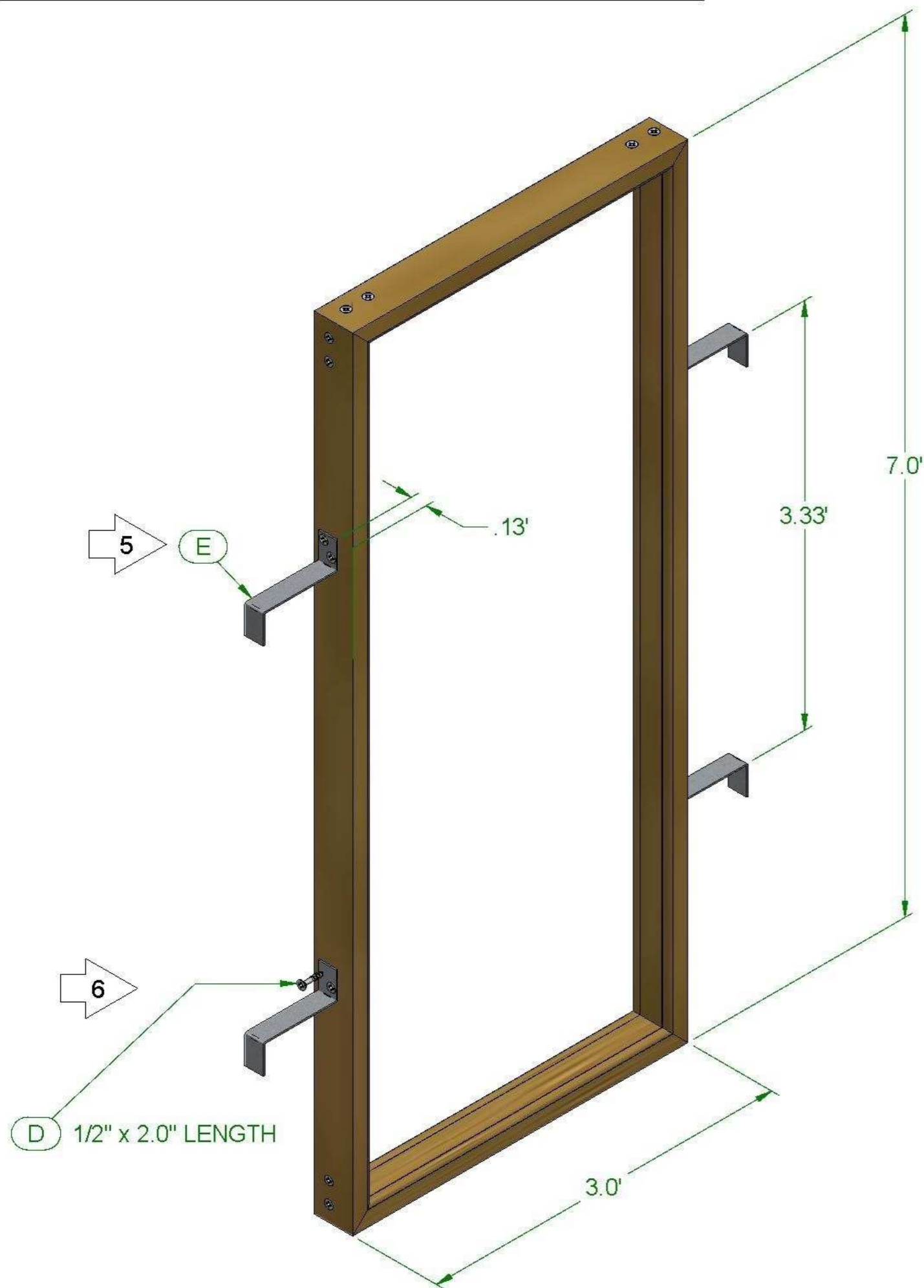


DESCRIPTION :
DOOR FRAME

DESIGN CODE :
7' x 3' - SIZE

BAERWOOD

ASSEMBLY CONSTRUCTION DETAILS



COMPLETED

DESCRIPTION :
DOOR FRAME
DESIGN CODE :
7' x 3' - SIZE

BAERWOOD

SHEET-3 OF 3